



ABOVEGROUND LINER ORDER / QUOTE

COMPANY _____
 ADDRESS _____
 CITY, STATE, ZIP _____
 PHONE NUMBER () _____
 JOB NAME _____
 SHIP VIA _____

*NOTE BELOW DIFFERENT SHIPPING ADDRESS

MATERIAL

WALL PATTERN _____
 HUNG (BEADED)
 BEAD TYPE _____
 OVERLAP OF _____ INCHES
 BOTTOM MATERIAL _____

DATE _____

P.O. NUMBER _____

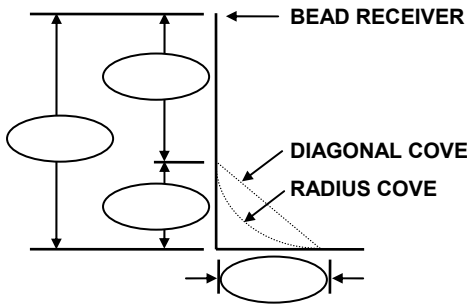
- ORDER QUANTITY _____
- QUOTE QUANTITY _____
- CONFIRMING PHONE ORDER

SHAPE OF POOL

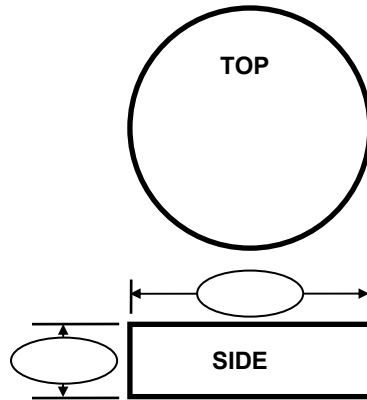
- RECTANGLE [CHECK CORNERS BELOW]
- SQUARE (90 DEGREE)
- RADIUS OF _____ INCHES
- DIAGONAL OF _____ INCHES
- MULTI-SIDED
OF SIDES _____
- GRECIAN
- OVAL
- ROUND

WALL COVES

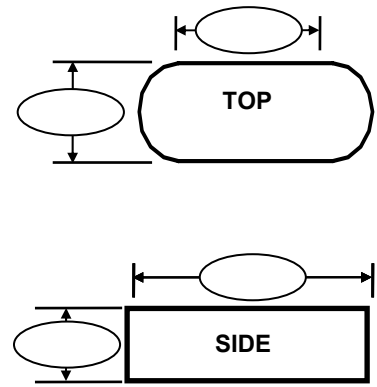
- NO COVE
- RADIUS COVE
- DIAGONAL COVE



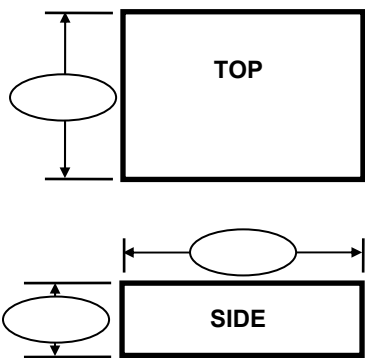
ROUND - FLAT BOTTOM



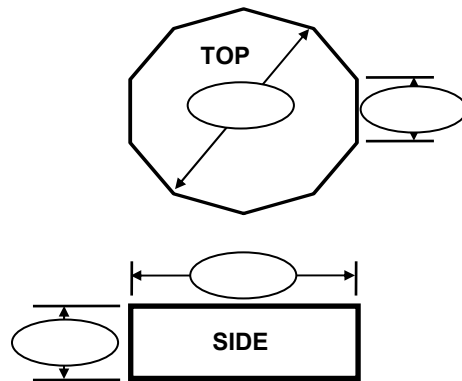
OVAL - FLAT BOTTOM



RECTANGLE - FLAT BOTTOM



MULTI-SIDED - FLAT BOTTOM



GRECIAN - FLAT BOTTOM

