



# ABOVEGROUND LINER ORDER / QUOTE

DATE \_\_\_\_\_

COMPANY \_\_\_\_\_  
ADDRESS \_\_\_\_\_  
CITY, STATE, ZIP \_\_\_\_\_  
PHONE NUMBER ( ) \_\_\_\_\_  
JOB NAME \_\_\_\_\_  
SHIP VIA \_\_\_\_\_

P.O. NUMBER \_\_\_\_\_

- ORDER ..... QUANTITY \_\_\_\_\_
- QUOTE ..... QUANTITY \_\_\_\_\_
- CONFIRMING PHONE ORDER

\*NOTE BELOW DIFFERENT SHIPPING ADDRESS

### SHAPE OF POOL

- RECTANGLE [ CHECK CORNERS BELOW ]
  - SQUARE ( 90 DEGREE )
  - RADIUS OF \_\_\_\_\_ INCHES
  - DIAGONAL OF \_\_\_\_\_ INCHES
- MULTI-SIDED
  - # OF SIDES \_\_\_\_\_
- GRECIAN
- OVAL
- ROUND

### MATERIAL

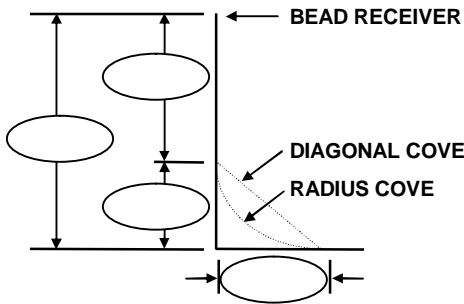
WALL PATTERN \_\_\_\_\_

- HUNG (BEADED)
  - BEAD TYPE \_\_\_\_\_
- OVERLAP OF \_\_\_\_\_ INCHES

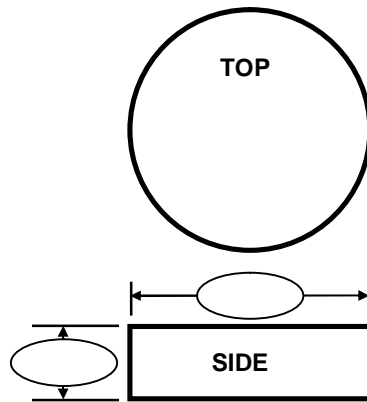
BOTTOM MATERIAL \_\_\_\_\_

### WALL COVES

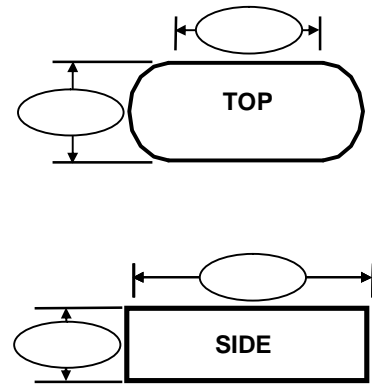
- NO COVE
- RADIUS COVE
- DIAGONAL COVE



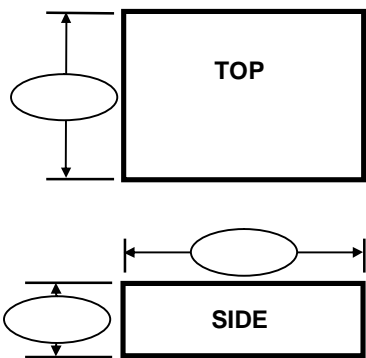
### ROUND - FLAT BOTTOM



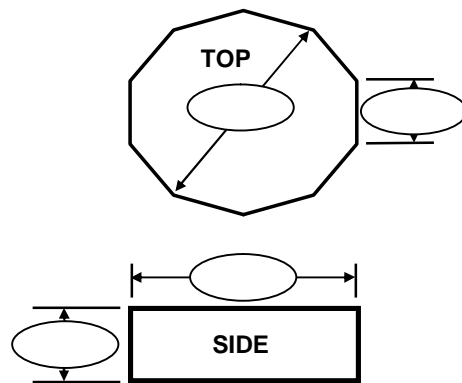
### OVAL - FLAT BOTTOM



### RECTANGLE - FLAT BOTTOM



### MULTI-SIDED - FLAT BOTTOM



### GRECIAN - FLAT BOTTOM

